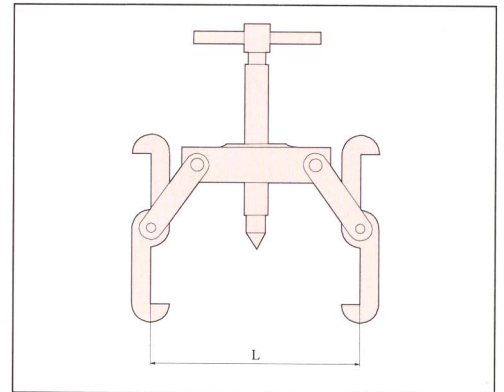
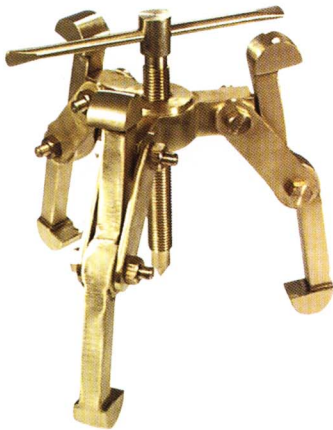
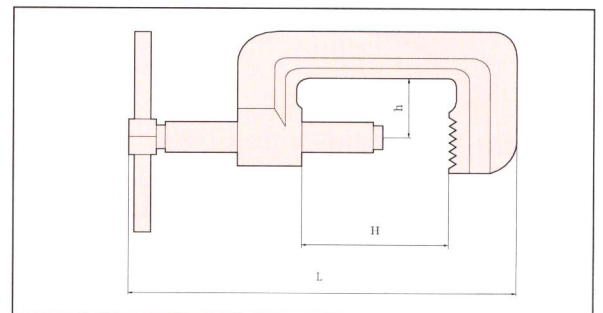
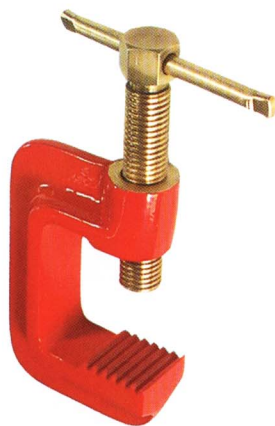


# 3 Leg Gear Puller



Number	L <sub>min</sub> mm	Be-Cu g	Al-Cu g
273-1002	100	3282	2991
273-1004	150	4052	3675
273-1006	200	5991	5432
273-1008	350	12352	11231

# Clamp



Number	L mm	H mm	h mm	Be-Cu g	Al-Cu g
274-1002	210	60	36	1250	1152
274-1004	250	80	36	1510	1383
274-1006	290	100	36	1770	1615
274-1008	340	150	50	2155	1970